



Designer Per Gyllenspetz has a special way of integrating **cutting edge style** with innovative engineering thinking. In the past decade he has added yacht design to his 30 years of automotive experience. **Millions of cars** worldwide have lines and ideas created by Per. He has a broad experience sailing different yachts and fast dinghies on seas around the globe. That gives him a steady knowledge of how people use **decks and interiors**, as well as how yachts move effectively at sea. Many years with unique green sustainability projects makes Per able to include solutions for **cleaner** boating. Using Swedish design principles, Per Gyllenspetz also puts emphasize on **structuring projects** to make sure that the solutions will fulfill all the functionality and beauty needs of discerning customers, at sea and in port.





60 ft GUDING concept , analyzing all needs for a life



onboard in rugged **Swedish** waters



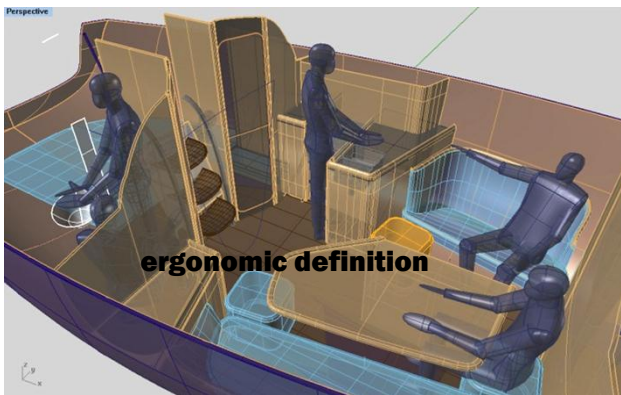


live-aboard concept using

computer renderings to create a **true sense** of admiring the yacht

at sea



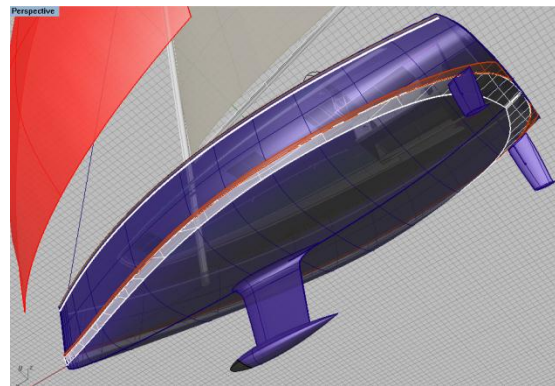


easy

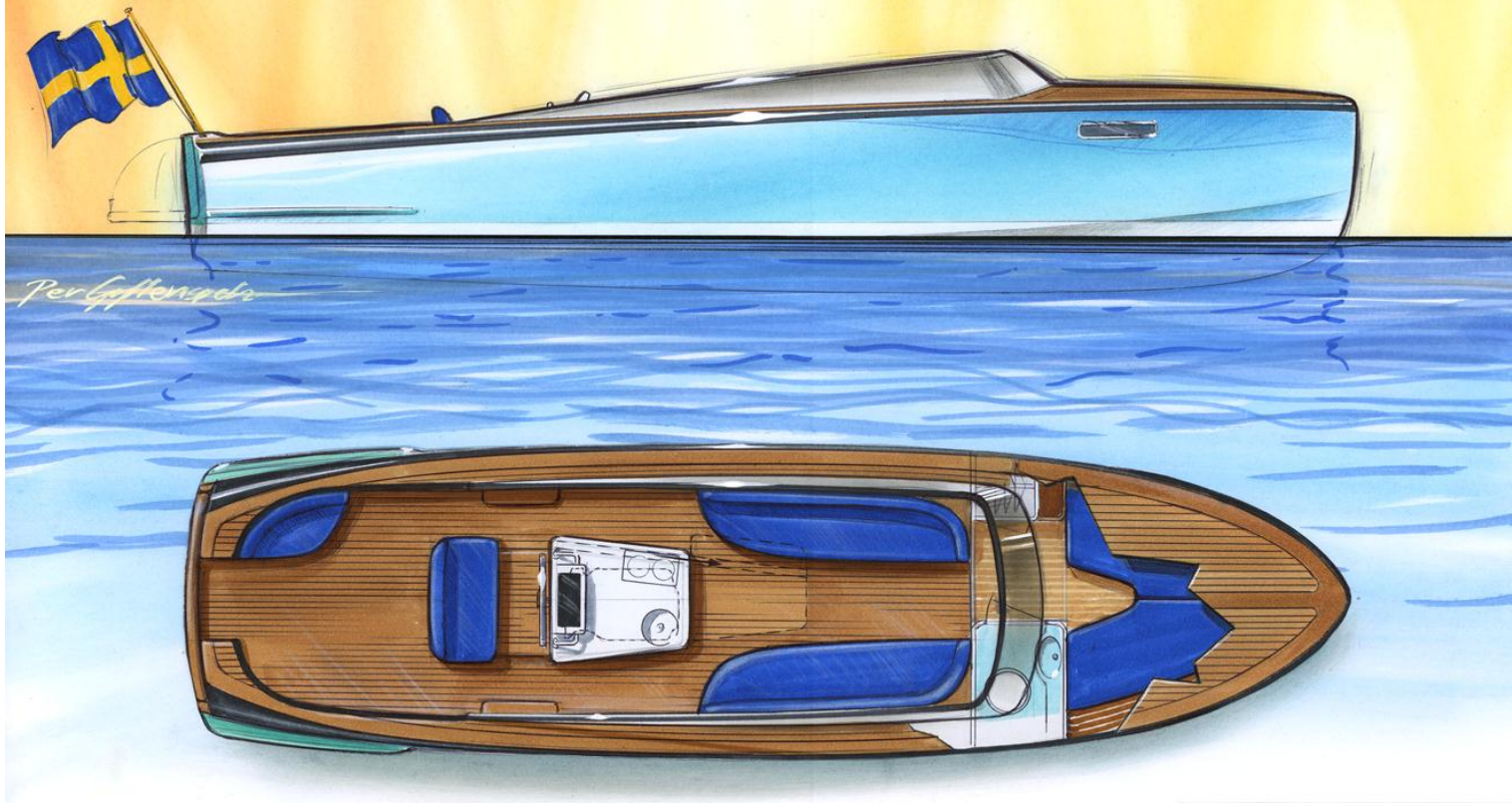
sketching on

computer

and paper

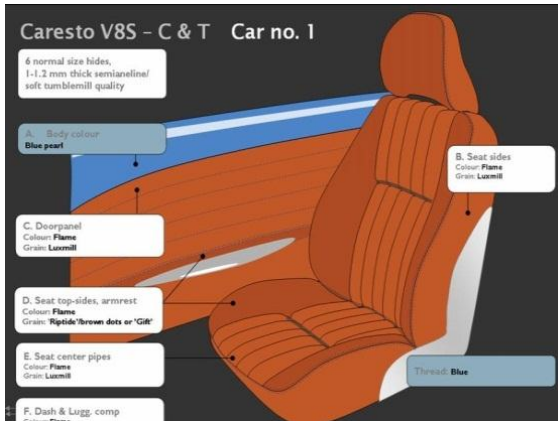


using **pen** and paper to find the right lines with **beauty**



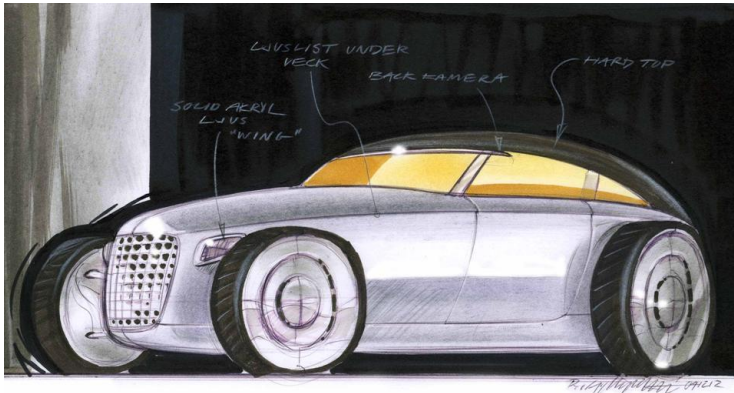
exclusive

custom made interior design, expert crafters





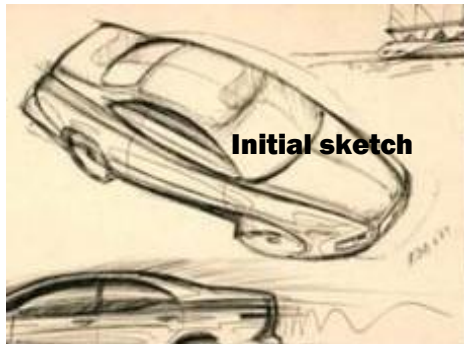
V8 Speedster, from **sketch** to **reality**, careful minimalistic styling, detail **engineering**





handcrafted

carbon and aluminum, showed with VOLVO in Las Vegas and **Los Angeles**



Initial sketch



clay model



on the road

car design seen **world wide** Arctic Trucks at North Pole with BBC **Top Gear**

